

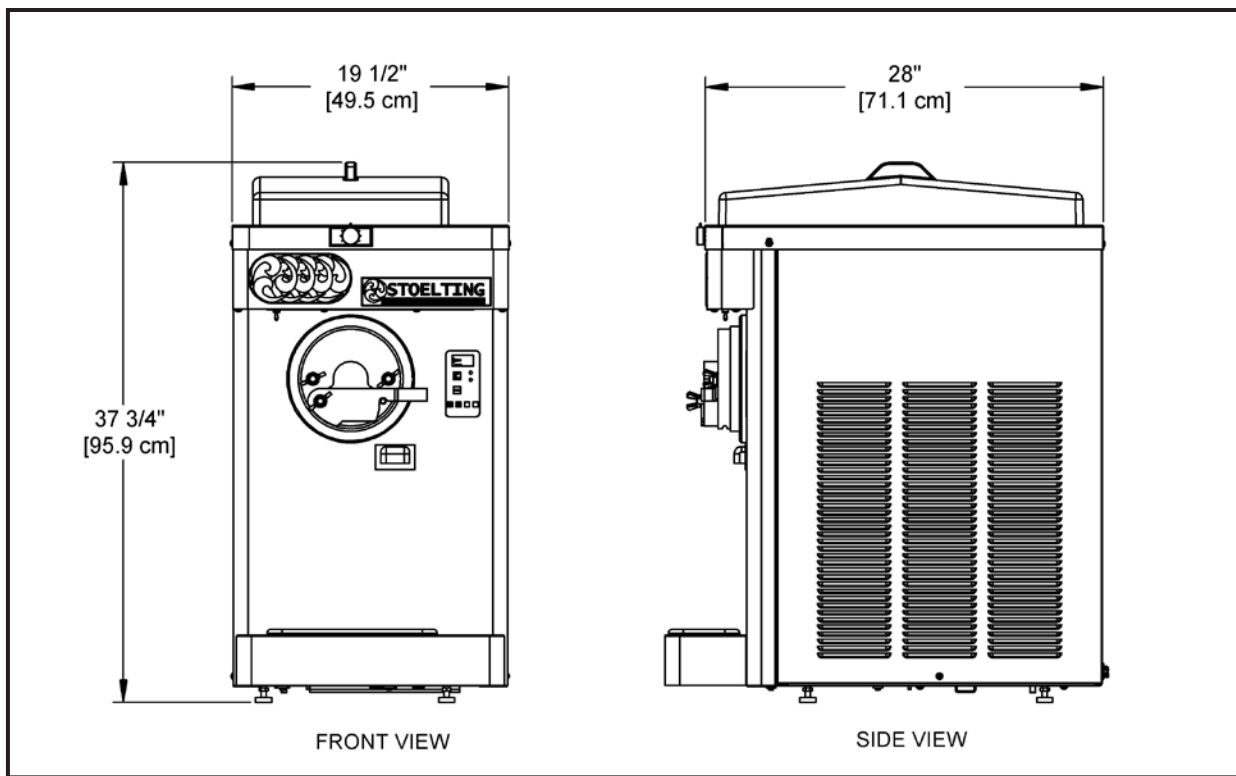
# Continuous Flow Counter-Top Frozen Custard Machine

CF101



- Quick-Freeze Technology™ minimizes size of ice crystals to ensure smoother, creamier product.
- Hold cycle keeps barrels at a safe temperature during off-cycle.
- Compact, counter-top model saves space.
- Easy to clean design ensures sanitary operation and ensures product is always fresh.
- Refrigerated hopper with independent temperature control maintains safe storage temperatures in any environment.
- Dual temperature control dispenses varied product types, such as Italian ice, sorbet, and frozen custard.
- IntelliTec™ control with lighted display provides simple two button operation.
- Super-sized condensing system provides high output even in high temperature conditions.
- Optional floor stand to create a “floor model” package, freeing up counter space and providing additional storage.
- Delrin, food grade plastic blades provide quiet operation and superior durability.





	<b>CF101</b>	
	<b>Machine</b>	<b>with crate</b>
<b>Dimensions</b>		
width	19-1/2" (49,5 cm)	38-3/4" (98,4 cm)
height	37-3/4" (95,9 cm)	28-3/4" (73,0 cm)
depth	28" (71,1 cm)	43" (109,2 cm)
<b>Weight</b>	310 lbs (140,6 kg)	380 lbs (172,3 kg)
<b>*Electrical</b>	<b>1 Phase, 208-240 VAC, 60Hz</b>	
running amps	15A	
connection type	NEMA6-20P power cord provided	
<b>Compressor</b>	14,000 Btu/hr	
<b>Drive Motor</b>	1-1/2 hp	
<b>Air Flow</b>	Air cooled units require 6" (15,2 cm) air space at left and right sides and 10" (25,4) air space above the machine.	
<b>Hopper Volume</b>	5.4 gallon (30,28 liters)	
<b>Freezing Cylinder Volume</b>	0.8 gallon (3,03 liters)	

Continuous research leads to ongoing product improvements; therefore, these specifications are subject to change without notice and should not be used as installation specifications.

\* Machine requires a dedicated electrical circuit.

Distributed by:



FOODSERVICE EQUIPMENT

502 Highway 67 • Kiel, WI 53042-1600

920-894-2293 • 800-558-5807

Fax: 920-894-7029

E-mail: [foodservice@stoelting.com](mailto:foodservice@stoelting.com)

[www.stoeltingfoodservice.com](http://www.stoeltingfoodservice.com)

ISO 9001:2008 Registered

Certified, Listed and/or Recognized by:



STMF-204 02/12